

# CPVC Pipe & Threaded Fittings

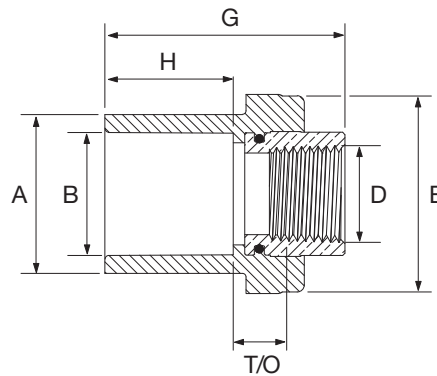
## CPVC Fittings

### Sprinkler Head Adaptor, Slip x Female Thread, Type E



Sizes	DN20 x DN15 & DN25 x DN15 (3/4" x 1/2" & 1" x 1/2")
Approvals	UL, C-UL Listed & FM, MEA, NSF, & LPCB Approved
Rated Pressure	12,1 bar (175 psi)
Maximum Temperature Rating	65°C (150°F).
Tech Data Sheet	<b>TFP1915 and Installation Handbook - IH-1900</b>

Manufactured with Lubrizol's BLAZEMASTER® compound ■ Produced from BlazeMaster® thermoplastic compound, RAPID RESPONSE CPVC fittings are designed exclusively for use in wet and dry pipe automatic fire sprinkler systems. ■ Our CPVC is easier to install than traditional steel components, while providing superior heat resistance and strength compared to traditional CPVC and PVC fitting materials.



CPVC Sprinkler Head Adaptor, Slip x Female Thread, Type E

Part No.	Size				A mm	C mm	G mm	H mm	T/O mm	Weight kg	Approval Listings				
	B Nominal		D Threaded								LPCB	FM	UL	MEA	NSF
	DN	In.	DN	In.											
80175E	20	3/4"	15	1/2" NPT	35	43	52	28	12	0.091	✓	✓	✓	✓	✓
80176E	25	1"	15	1/2" NPT	43	43	56	31	12	0.1	✓	✓	✓	✓	✓